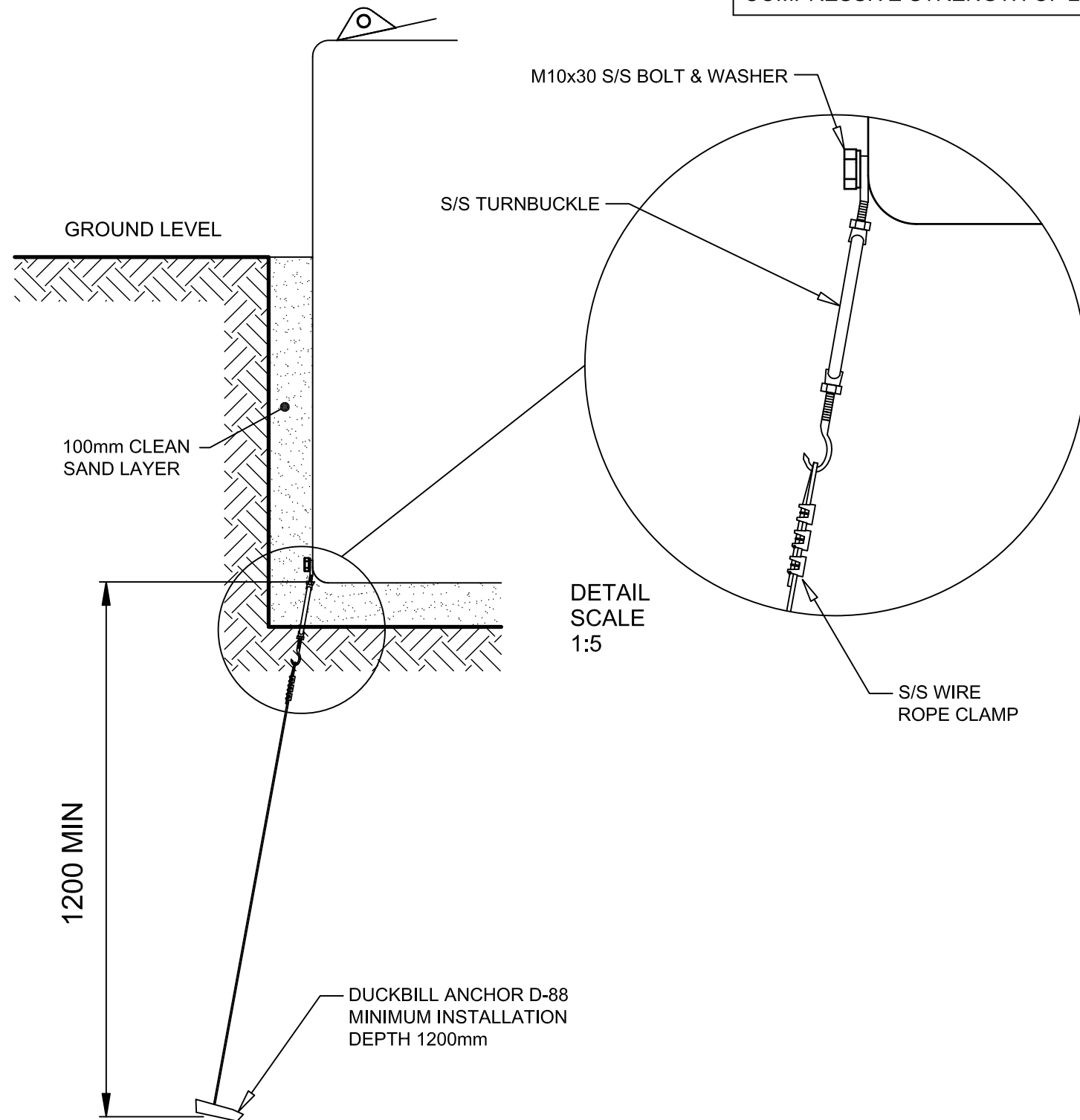


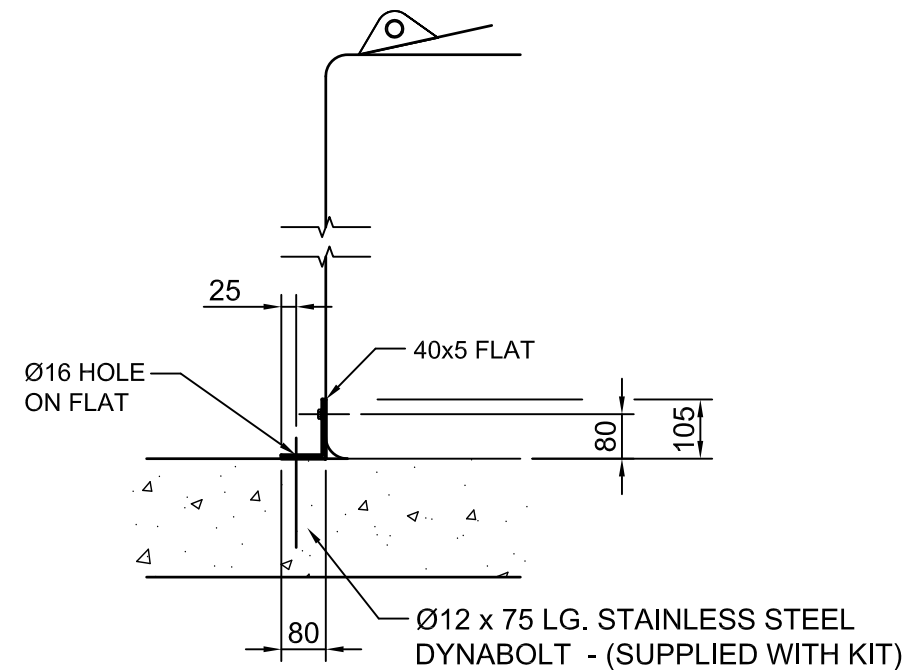
DO NOT SCALE

CONCRETE TO HAVE A MINIMUM
COMPRESSIVE STRENGTH OF 20 MPa



DUCKBILL ANCHORING SYSTEM

HOLD DOWN REQ. FOR SEPTIC TANKS	
SEPTIC TANK	NUMBER OF FIXINGS
5500 Litre	16 x ANCHORS
2500 Litre	8 x ANCHORS
1075 Litre	8 x ANCHORS
1000 Litre Cube	6 x ANCHORS
600 Litre Tapered	4 x ANCHORS



STEEL FIXING BRACKET TO SLAB

No.	DATE	BY	DESCRIPTION	ENG.	GOUGH
F	17.02.11	TL	REVISED AND REISSUED		
			REVISION	CHK.	APPROV.

GP
AUSTRALIA
GOUGH PLASTICS
Custom Rotational Moulders

Gough Industries Pty. Ltd.
833 Ingham Road
Bohle, Townsville
P.O. Box 1258, Aitkenvale, Qld. 4814.
Telephone 07 47747606
Facsimile 07 47747608
A.C.N. 010 028 547

This drawing remains the property of Gough Industries Pty. Ltd.
It is subject to Gough Industries Pty. Ltd.'s recall and must not
be reproduced in part or whole or it's contents divulged to third parties
without prior written approval from Gough Industries Pty Limited.

	Signature	Date
DRAWN	T.LYNCH	FEB '11
DRN. CHK		
ENGINEER		
ENG. CHK		
SUBMITTED FOR APPR.		
Eng. APPROVAL		

HYBRID TOILET SYSTEM - ANCHOR SYSTEMS			
QUANTITIES & DETAIL			
SCALE	NTS	A3	Gough Plastics Drg. No. GTL-0000-10
EDIT DATE=			F REV
		CAD FILE :	